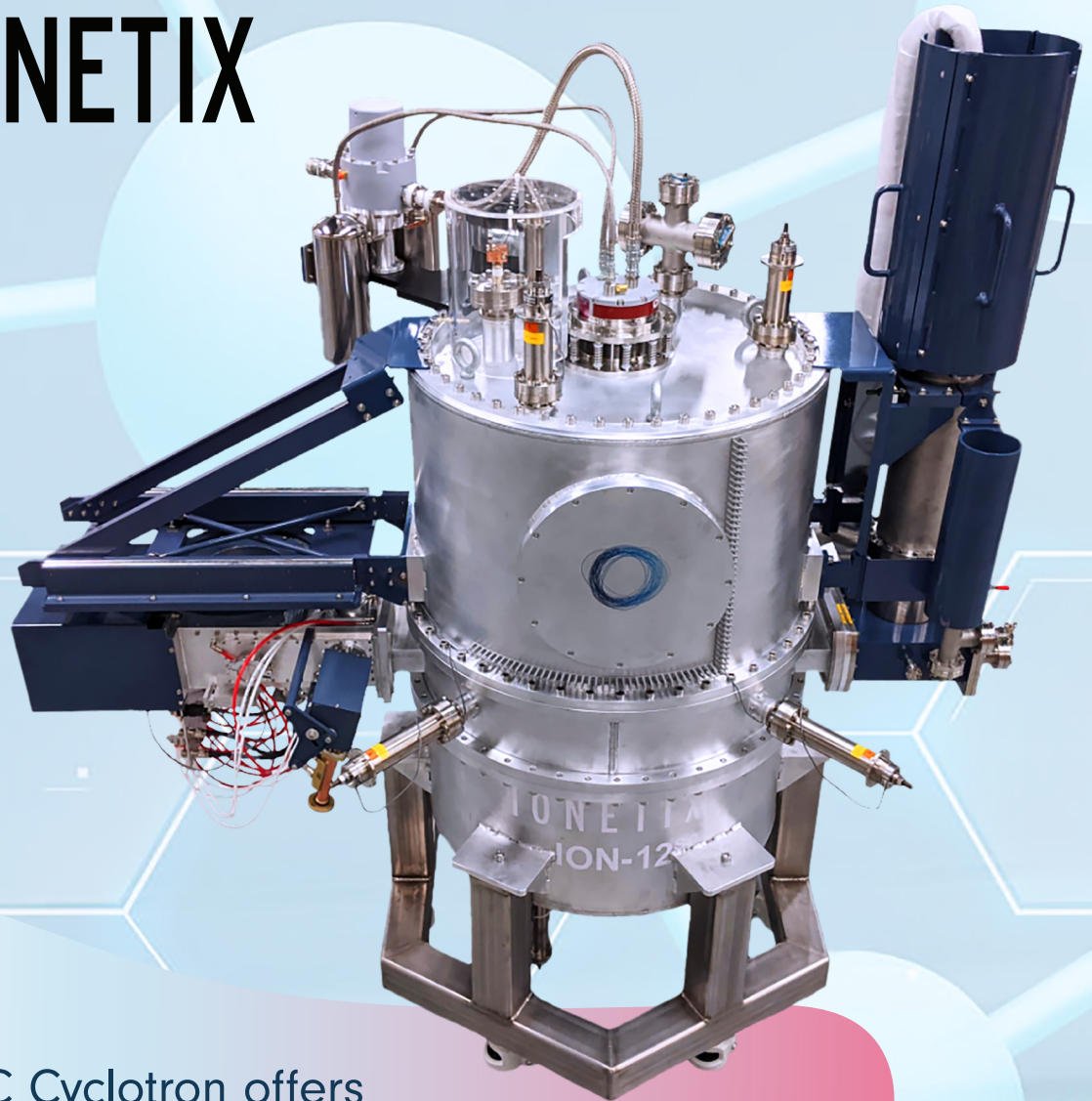


IONETIX



The ION-12SC Cyclotron offers

**FLEXIBILITY THAT OPENS THE
DOOR FOR OPPORTUNITY**

MEET THE ION-12SC

The IONETIX ION-12SC offers a compact design that provides a simple, reliable, and productive solution. This opens the door for the opportunity to provide superior imaging simply and affordably. The ION-12SC Cyclotron is a 12 MeV, superconducting cyclotron that accelerates protons to produce megabecquerel levels of positron emitting isotopes to be used for the production of radiopharmaceuticals for Positron Emission Tomography (PET) imaging.

- **Designed for low total cost of ownership** – we are our own biggest customer, so everything we do design-wise is focused on reliability, and quick and simple service
- **Designed for small spaces** – our total system has a small footprint providing the flexibility to install it in reduced spaces



SIMPLE. RELIABLE. PRODUCTIVE.

- **Simple and easy to use** – The ION-12SC is incredibly simple to operate with just the touch of a few buttons
- **Reliability** – Key features of the system (always-on, superconducting magnet; internal targetry) have fewer “moving parts” and are less prone to failure
- **Productive** – The ION-12SC is capable of producing multiple isotopes, including:

F-18

F-18 Production

18,500 MBq in 60 minutes at the end of bombardment, or EOB

N-13
Ammonia

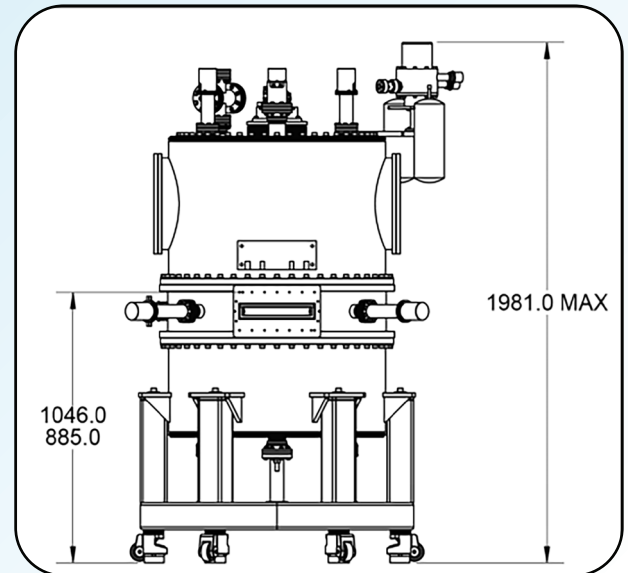
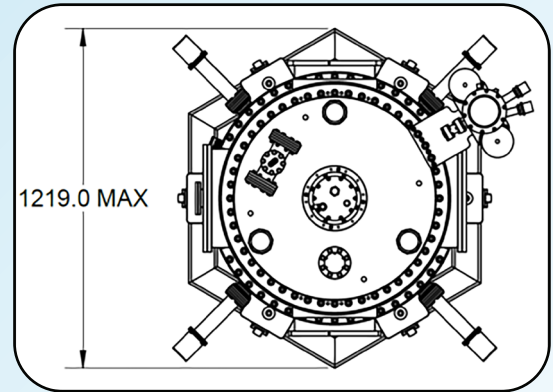
N-13 Ammonia Production

1035 MBq EOB in 10 minutes

Ga-68

Gallium-68 Production

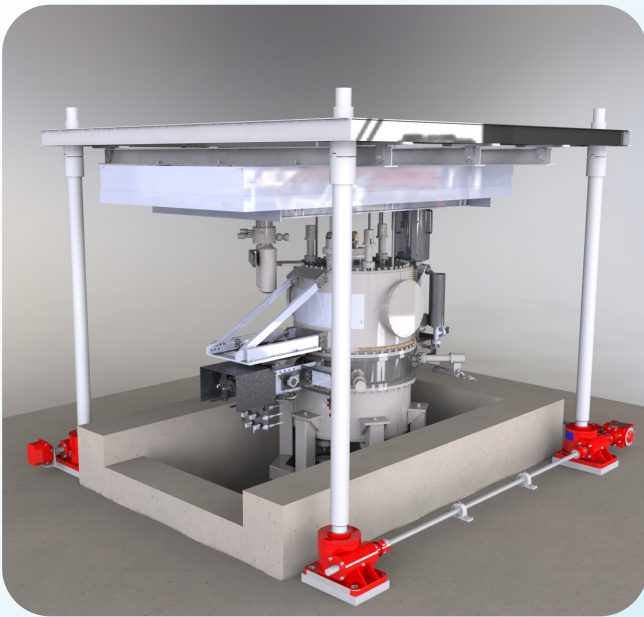
925 MBq EOB in 30 minutes



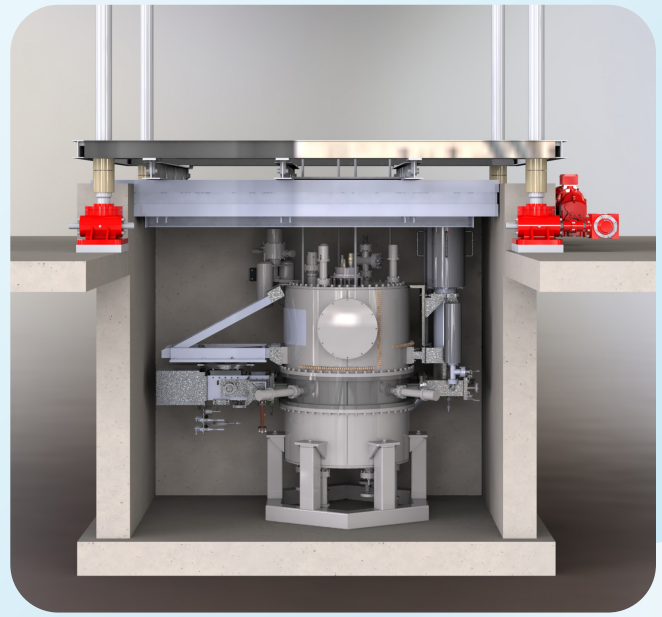
A REVOLUTIONARY SYSTEM

IONETIX also provides an option for an **ION Ascend Shielding System**. This revolutionary in ground shielding system provides a less invasive installation compared to poured concrete vaults, while providing an ideal setup for operation and maintenance.

Open ION Shield Vault



Closed ION Shield Vault





Alternate ION Shield Door System



IONETIX is a cyclotron and technology company providing full-service radioisotope production and end-to-end radiopharmaceutical manufacturing solutions. Utilizing its proprietary cyclotron technology platform, IONETIX has developed innovative solutions that enable access to scarce radioisotopes used for both diagnostics and therapeutic radiopharmaceuticals.

Contact us:

Corporate Headquarters
3130 Sovereign Drive
Lansing, MI 48911

517.252.4069 ext 808
N-13Ammonia@IONETIX.com

For more information, visit [IONETIX.com](https://www.ionetix.com)